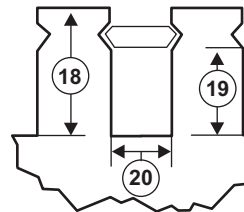
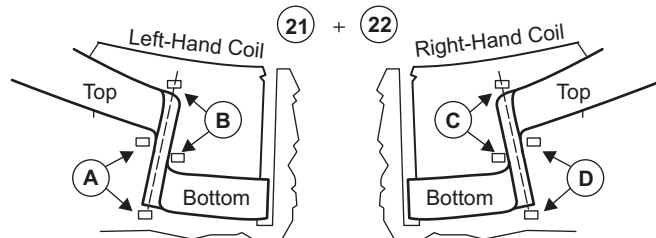
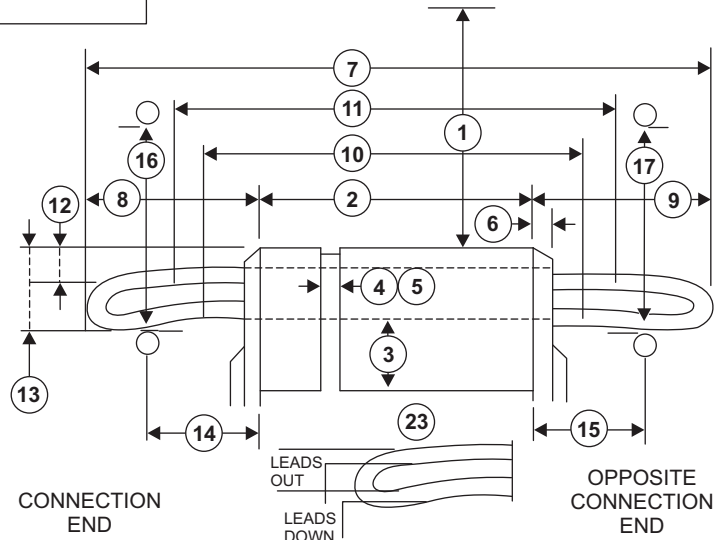


AC STATOR FORM COIL DATA

COMPANY		CONTACT		DATE	JOB #
ADDRESS		CITY		STATE/PROVINCE	ZIP
P.O. BOX	PHONE	FAX		E-MAIL	
MFR.	HP/KVA/KW	POLES	RPM	FRAME	
MODEL	VOLTS	AMPS	HERTZ	PHASES	
SERIAL #	TYPE				

1	CORE BORE DIAMETER	
2	TOTAL CORE LENGTH	
3	BACK IRON	
4	NO. OF VENTS	
5	WIDTH OF VENT(S)	
6	FINGER PLATE WIDTH	
7	OVERALL COIL LENGTH	
8	CONN. END EXTENSION	
9	OPP. CONN. END EXTENSION	
10	STRAIGHT LENGTH, BOTTOM SIDE	
11	STRAIGHT LENGTH, TOP SIDE	
12	SMALL KNUCKLE DROP	CE _____ OCE _____
13	LARGE KNUCKLE DROP	CE _____ OCE _____
14	CONN. SUPPORT RING FROM CORE	
15	OPP. CONN. SUPP. RING FROM CORE	
16	CONN. SUPPORT RING I.D.	
17	OPP. CONN. SUPPORT RING I.D.	
18	TOTAL SLOT DEPTH	
19	SLOT DEPTH UNDER WEDGE	
20	SLOT WIDTH	
21	LEAD LOCATION	<input type="checkbox"/> A <input type="checkbox"/> B <input type="checkbox"/> C <input type="checkbox"/> D
22	COIL TYPE	<input type="checkbox"/> LEFT-HAND <input type="checkbox"/> RIGHT-HAND
23	COIL LEADS	LONG # _____ LG _____ SHORT # _____ LG _____ <input type="checkbox"/> OUT <input type="checkbox"/> DOWN
24	JUMPER (1-4 OR 1-7)	1-
25	CONNECTION (WYE OR DELTA)	
26	NO. OF CIRCUITS	
27	NO. OF SLOTS	
28	COIL THROW	1-
29	TURNS PER COIL	
30	TOTAL WIRES IN PARALLEL	
31	BARE WIRE SIZES	() X _____ () X _____
32	STRAND INSULATION	<input type="checkbox"/> FILM <input type="checkbox"/> GLASS <input type="checkbox"/> MICA <input type="checkbox"/> BARE <input type="checkbox"/> OTHER
33	COIL WEIGHT	LBS _____
34	_____ GROUPS OF _____ COILS	
35	_____ GROUPS OF _____ COILS	
35	IRON SKEWED	<input type="checkbox"/> RIGHT <input type="checkbox"/> LEFT _____ IN.



SPECIAL FEATURES	YES	NO
DATA CHANGE		
COIL SUPPORT RING STEEL		
TERRACE WOUND		
CORONA PROTECTION		
RTDs		
_____ OHMS _____ QTY		
HERMETIC		
SLOT PAPER USED		
INSULATION CLASS <input type="checkbox"/> B <input type="checkbox"/> F <input type="checkbox"/> H		
<input type="checkbox"/> VPI <input type="checkbox"/> DIP & BAKE <input type="checkbox"/> SEALED		
<input type="checkbox"/> LEADS TAPED <input type="checkbox"/> LEADS SLEEVED		

COMMENTS